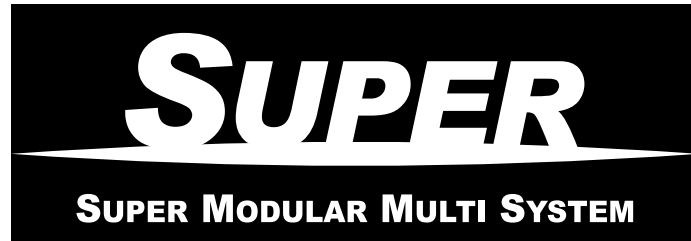


TOSHIBA

SERVICE PARTS LIST

FILE NO. A04-012



Cooling Only

The indoor unit is common to one in Super Modular Multi System air conditioner.
Therefore refer to the service manuals for A03-009, A03-010, and A03-011 separately issued.

Indoor Unit

<4-way Air Discharge Cassette Type>

MMU-AP0091H, AP0121H, AP0151H,
MMU-AP0181H, AP0241H, AP0271H,
MMU-AP0301H, AP0361H, AP0481H,
MMU-AP0561H

<2-way Air Discharge Cassette Type>

MMU-AP0071WH, AP0091WH, AP0121WH,
MMU-AP0151WH, AP0181WH, AP0241WH,
MMU-AP0271WH, AP0301WH

MMU-AP0481WH (CHINA market only)

<1-way Air Discharge Cassette Type>

MMU-AP0071YH, AP0091YH, AP0121YH,
MMU-AP0151SH, AP0181SH, AP0241SH

<Concealed Duct Standard Type>

MMD-AP0071BH, AP0091BH, AP0121BH,
MMD-AP0151BH, AP0181BH, AP0241BH,
MMD-AP0271BH, AP0301BH, AP0361BH,
MMD-AP0481BH, AP0561BH

<Concealed Duct High Static Pressure Type>

MMD-AP0181H, AP0241H, AP0271H,
MMD-AP0361H, AP0481H, AP0721H,
MMD-AP0961H

<Under Ceiling Type>

MMC-AP0151H, AP0181H, AP0241H,
MMC-AP0271H, AP0361H, AP0481H

<High Wall Type>

MMK-AP0071H, AP0091H, AP0121H,
MMK-AP0072H, AP0092H, AP0122H,
MMK-AP0151H, AP0181H, AP0241H

<Floor Standing Cabinet Type>

MML-AP0071H, AP0091H, AP0121H,
MML-AP0151H, AP0181H, AP0241H

<Floor Standing Concealed Type>

MML-AP0071BH, AP0091BH, AP0121BH,
MML-AP0151BH, AP0181BH, AP0241BH

<Floor Standing Type>

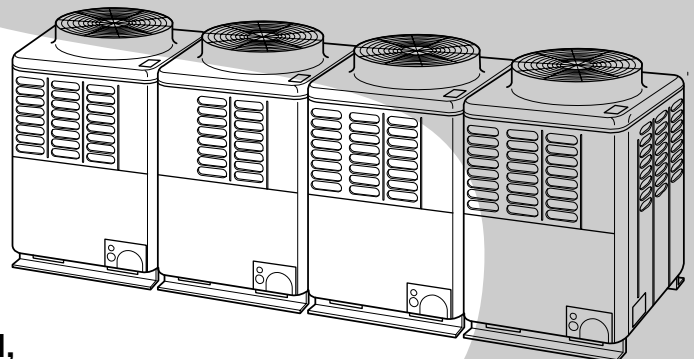
MMF-AP0151H, AP0181H, AP0241H,
MMF-AP0271H, AP0361H, AP0481H,
MMF-AP0561H

Outdoor Unit

Cooling Only Model

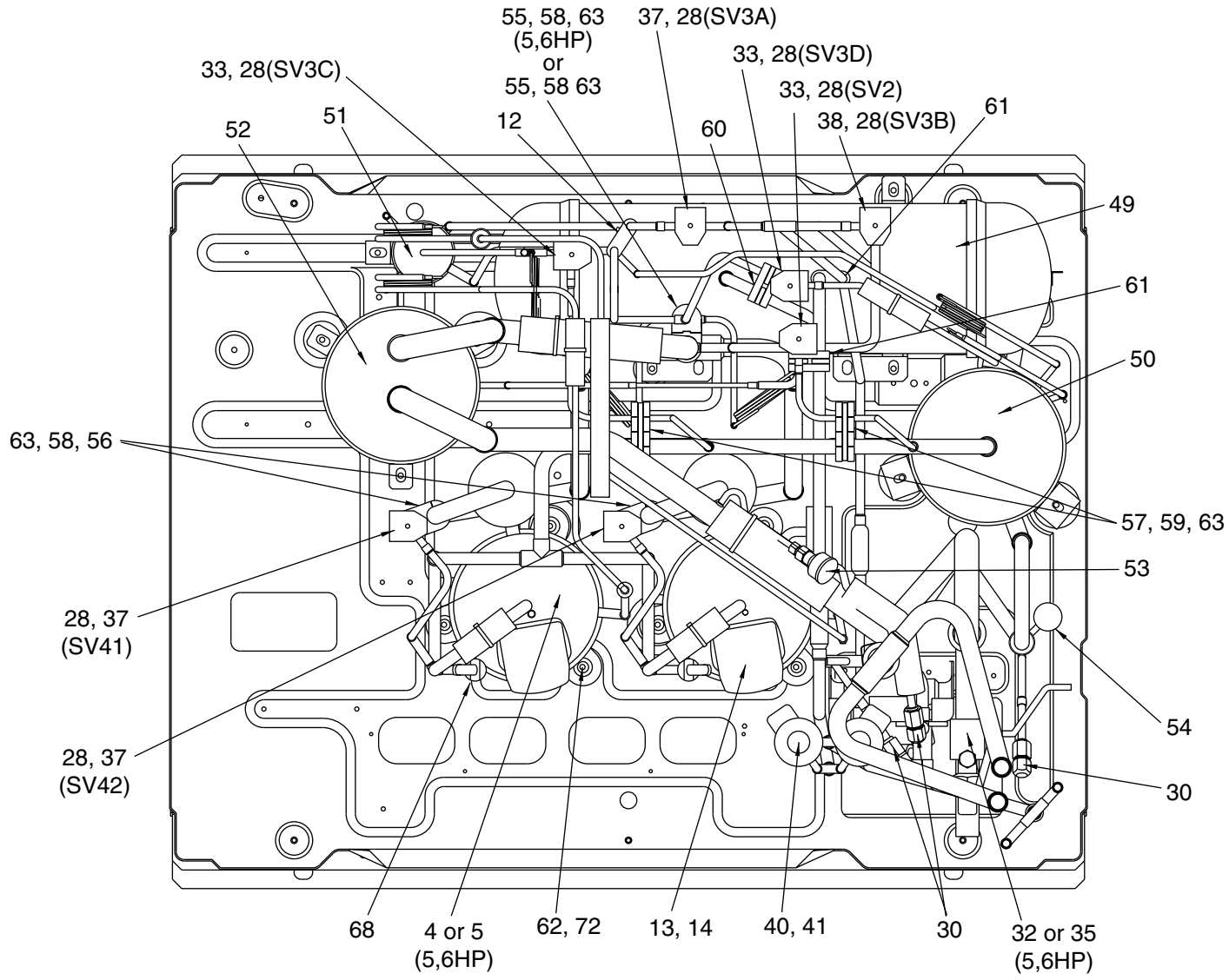
<Inverter Unit>

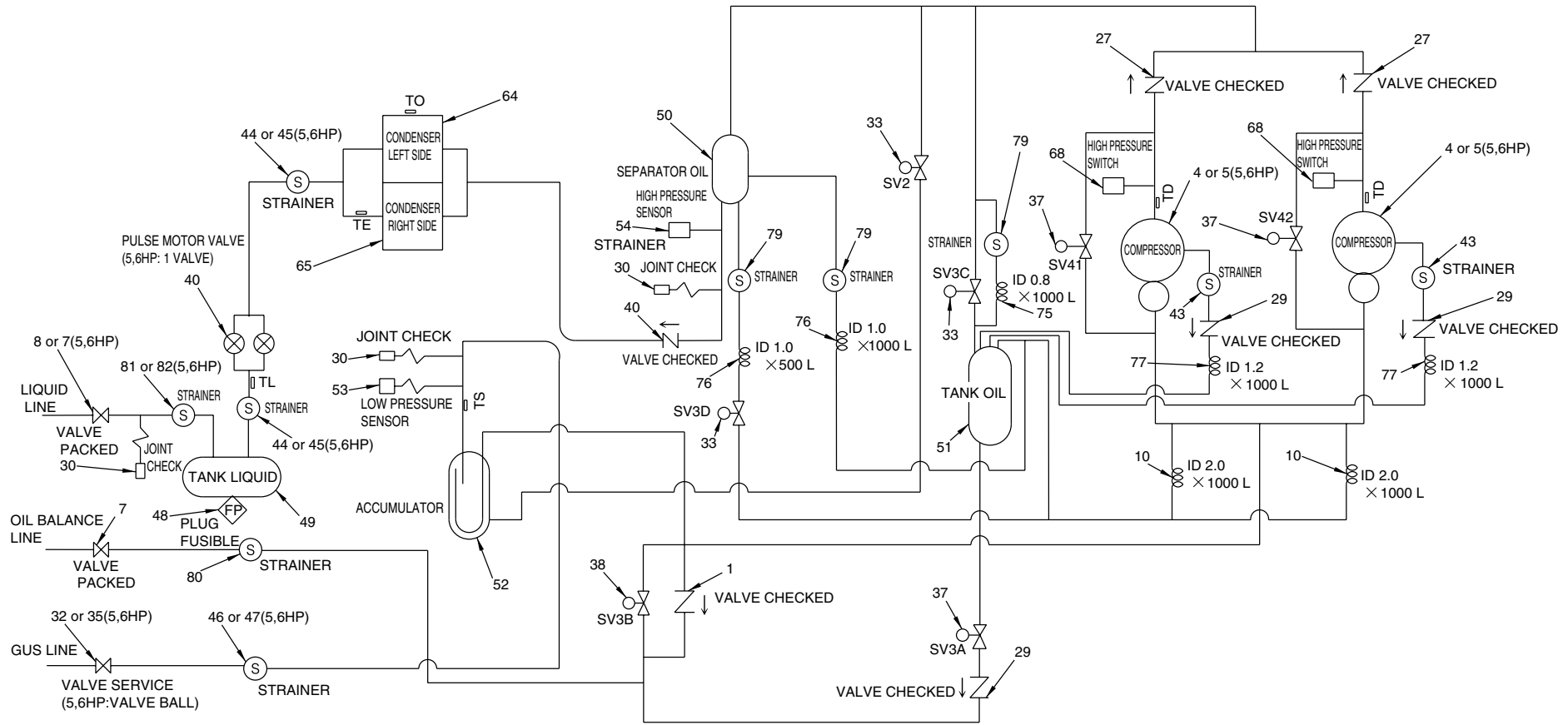
MMY-MAP0501T8, MAP0601T8
MMY-MAP0801T8, MAP1001T8
MMY-MAP1201T8

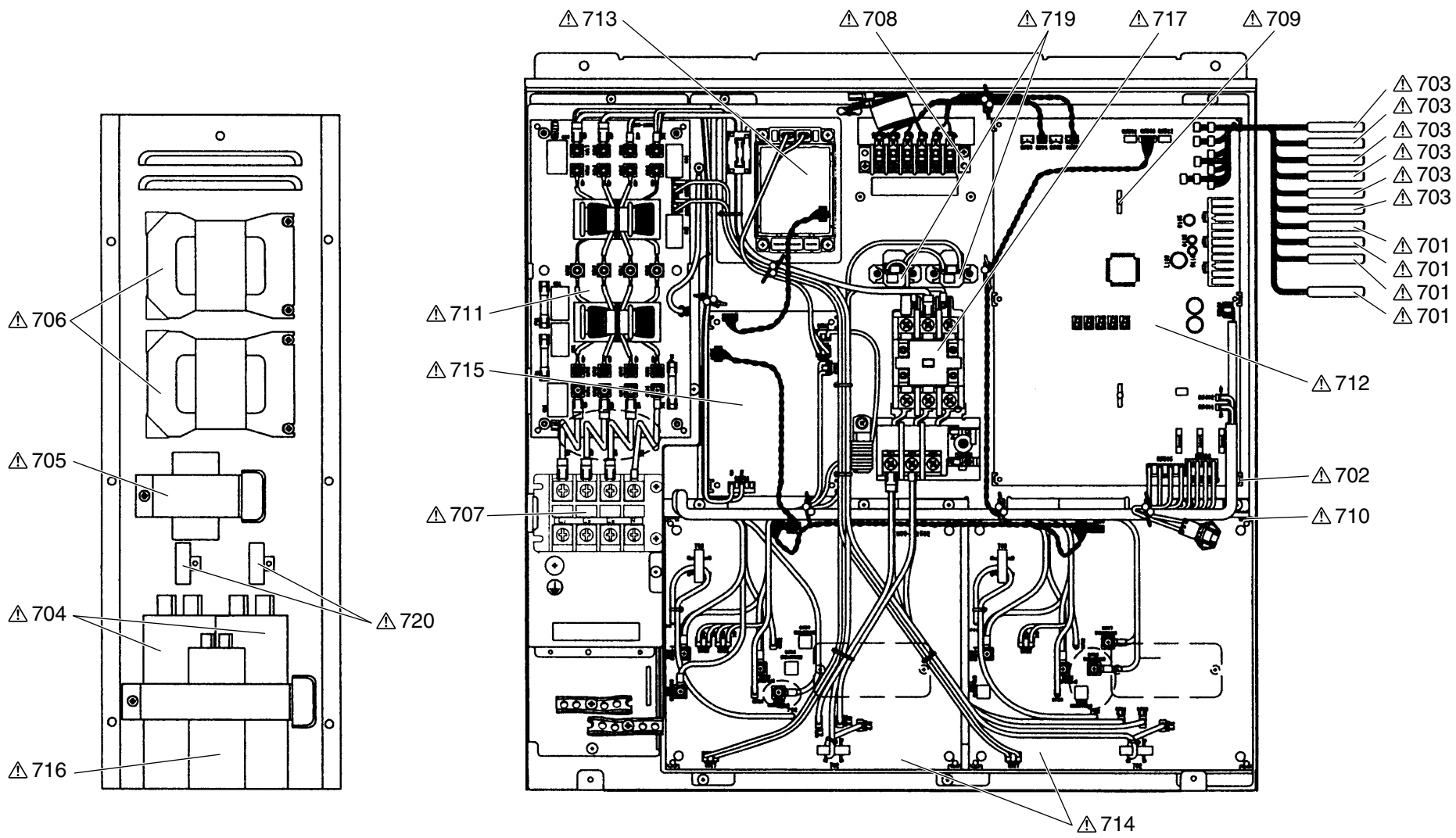


CONTENTS

1. Outdoor Unit 1







Location No.	Part No.	Description	Model Name MMY-				
			MAP1201T8	MAP1001T8	MAP0801T8	MAP0601T8	MAP0501T8
001	36746547	VALVE, CHECK	1	1	1	1	1
003	43019904	HOLDER, SENSOR	9	9	9	9	9
004	43041781	COMPRESSOR, DA421A3FB-23M	2	2	2		
005	43041782	COMPRESSOR, DA351A3FB-23M				2	2
007	43046391	VALVE, PACKED, 9.52	1	1	1	2	2
008	43046393	VALVE, PACKED, 12.7	1	1	1		
009	43047401	BONNET, 3/8, IN	1	1	1	2	2
010	43047527	TUBE, CAPILLARY, ID 2.0x2000L	1	1	1	1	1
011	43063332	HOLDER, SENSOR	1	1	1	1	1
012	43049683	BAND	2	2	2	2	2
013	43050407	THERMOSTAT, BIMETAL	2	2	2	2	2
014	43063317	HOLDER, THERMOSTAT	1	1	1	1	1
016	43100265	CABINET, UP	1	1	1	1	1
017	43119466	GUARD, FAN	1	1	1	1	1
024	4311M423	MARK, TOSHIBA	1	1	1	1	1
025	43120219	FAN, PROPELLER	1	1	1	1	1
026	43121705	MOTOR, FAN, DC280V	1	1	1	1	1
027	43146495	VALVE, CHECKED	2	2	2	2	2
028	43146660	COIL, SOLENOID, AC220-240 50Hz	8	8	8	8	8
029	43146581	VALVE, CHECKED BCV-302DY	3	3	3	3	3
030	43146588	JOINT, CHECK	3	3	3	3	3
032	43146594	VALVE, GAS	1	1	1		
033	43146595	VALVE, 2WAY	3	3	3	3	3
					1		
035	43146613	VALVE, BALL				1	1
037	43146635	VALVE, 2WAY	3	3	3	3	3
038	43146636	VALVE, 2WAY	1	1	1	1	1
039	43146637	VALVE, CHECK	1	1	1	1	1
040	43146638	VALVE, PMV	2	2	2	1	1
041	43146642	COIL, PMV	2	2	2	1	1
042	43147195	BONNET, 1/2, IN	1	1	1		
043	43147716	STRAINER	2	2	2	2	2
044	43147719	STRAINER	2	2	2		
045	43147721	STRAINER				2	2
046	43147713	STRAINER	1	1	1		
048	43148171	PLUG, FUSIBLE	1	1	1	1	1
049	43148202	TANK, LIQUID	1	1	1	1	1
050	43148201	SEPARATOR	1	1	1	1	1
051	43148193	TANK, OIL	1	1	1	1	1
052	43148200	ACCUMULATOR	1	1	1	1	1
053	43149315	SENER ASSY, LOW PRESSURE	1	1	1	1	1
054	43149316	SENER ASSY, HIGH PRESSURE	1	1	1	1	1
055	43149317	RUBBER, SUPPORTER, PIPE	1	1	1		
056	43149318	RUBBER, SUPPORTER, PIPE	2	2	2	2	2
057	43149319	RUBBER, SUPPORTER, PIPE	2	2	2	3	3
058	43149320	RUBBER, SUPPORTER, PIPE	3	3	3	3	3
059	43149321	RUBBER, SUPPORTER, PIPE	2	2	2	2	2
061	43149323	RUBBER, SUPPORTER, PIPE	3	3	3	3	3
062	43149324	RUBBER, CUSHION	6	6	6	6	6
063	43149325	BAND, FIX	5	5	5	5	5
064	4314G171	CONDENSER ASSY, THREE ROW	1	1	1		
065	4314G172	CONDENSER ASSY, THREE ROW	1	1	1		
066	4314G173	CONDENSER ASSY, ONE ROW				1	1
067	4314G174	CONDENSER ASSY, ONE ROW				1	1
068	43151283	SWITCH, PRESSURE ACB-4UB32W	2	2	2	2	2
069	43157276	HEATER, CASE, 29W 240V	3	3	3	3	3
071	4311M422	OWNER'S MANUAL, MMY-MAP1201HT8	1	1	1	1	1

Location No.	Part No.	Description	Model Name MMY-				
			MAP1201T8	MAP1001T8	MAP0801T8	MAP0601T8	MAP0501T8
072	43197159	BOLT, COMPRESSOR	6	6	6	6	6
073	43197158	NUT, FLANGE	1	1	1	1	1
074	43197162	WASHER	1	1	1	1	1
075	44246235	TUBE, CAPILLARY, BYPASS	1	1	1	1	1
076	44246236	TUBE, CAPILLARY, BYPASS, 1.0x2.0x2000L	1	1	1	1	1
077	44246239	TUBE, CAPILLARY, ID 1.2	1	1	1	1	1
078	43060029	FILTER, NOISE	1	1	1	1	1
079	43147727	STRAINER	3	3	3	3	3
080	43147718	STRAINER	1	1	1	1	1
081	43147720	STRAINER	1	1	1		
082	43147722	STRAINER				1	1
091	43191600	PANEL	1	1	1	1	1
092	43191657	CABINET ASSY, FRONT, UP	1	1	1	1	1
093	43191658	CABINET ASSY, BACK, UP	1	1	1	1	1
094	43191659	CABINET ASSY, SIDE, RIGHT	1	1	1	1	1
095	43191660	CABINET ASSY, SIDE, LEFT	1	1	1	1	1
096	43191661	CABINET ASSY, FRONT, DOWN	1	1	1	1	1
097	43191662	CABINET ASSY, BACK, DOWN	1	1	1	1	1
701	43050382	SENSOR, TC(F6)	4	4	4	4	4
702	43063248	SUPPORTER, ASSY	3	3	3	3	3
703	43150315	SENSOR, TD(F6)	6	6	6	6	6
704	43155176	CAPACITOR	2	2	2	2	2
705	43158186	TRANSFORMER	1	1	1	1	1
706	43158183	REACTOR	2	2	2	2	2
707	43160559	TERMINAL BLOCK, 4P	1	1	1	1	1
708	43160548	TERMINAL, 6P	1	1	1	1	1
709	43163017	SUPPORTER	2	2	2	2	2
710	43163048	SUPPORTER, ASSY	1	1	1	1	1
711	4316V243	PC BOARD ASSY, NOISE-FILTER, MCC-1366	1	1	1	1	1
712	4316V246	PC BOARD ASSY, INTERFACE, MCC-1429	1	1	1	1	1
713	4316V237	PC BOARD ASSY, FAN-IPDU, IPDU-2D16DA1	1	1	1	1	1
714	4316V245	PC BOARD ASSY, A3-IPDU, MCC-1502	2	2	2	2	2
715	4316V244	PC BOARD ASSY, POWER, MCC-1439	1	1	1	1	1
716	43155194	CAPACITOR	1	1	1	1	1
717	43152506	ELECTRO MAGNETIC SWITCH	1	1	1	1	1
719	43153006	PTC-THERMISTOR	2	2	2	2	2
720	43155197	RESISTOR	2	2	2	2	2

TOSHIBA CARRIER CORPORATION